

PLANTER BAR DIY PLANS

MATERIALS LIST

Lumber Required:

(8) 5/4x6x8 • (7) 5/4x6x12 • (10) 2x4x8 • (3) 1 x 4 x 8

Hardware Required:

6' Barn door hardware • (4) 4" casters

(2) Drawer Handles • 24"x36" Ornamental Metal Grate

5lbs 3" deck screws • 2lbs 2" deck screws

CUT LIST

For most efficient lumber usage, cut wood as below

5/4x6x8:

(4) 70"/20"/6" • (2) 32"/32"/32"

(1) 32"/32"/20"/6"/6"

(1) 42"/42"/12"

5/4x6x12:

(5) 42"/42"/42"/14.25"

(1) 27.5"/19"/19"/42"

(1) 42"/42"/42"/6"/6"/6"

2x4x8:

(4) 35"/35"/20" • (3) 70"/14.25"

(2) 32"/28.5"/27.5"

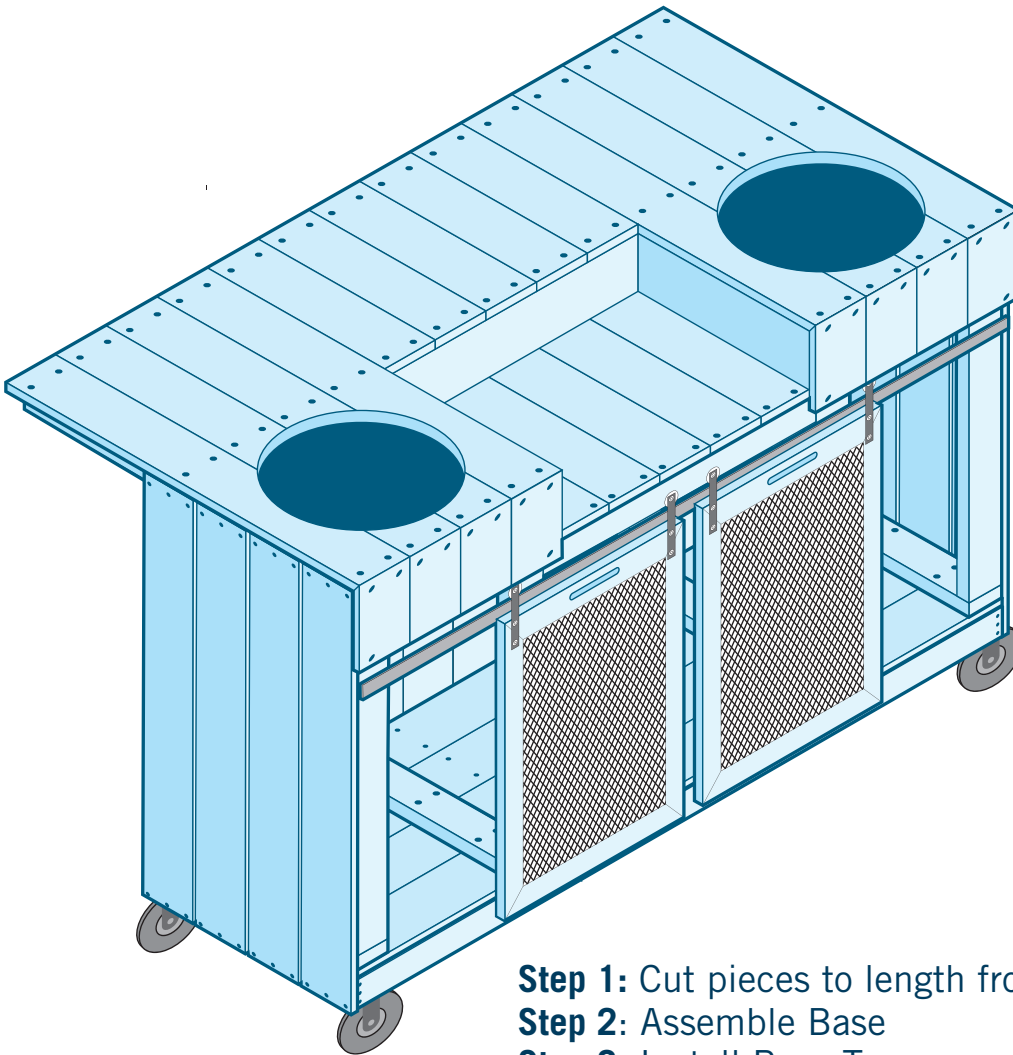
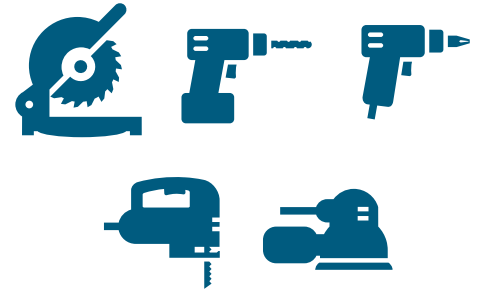
(1) 17"/17"/17"/17"/14.25"

1x4x8:

(2) 34"/34"/18"

(1) 18"/18"

TOOLS NEEDED



DIRECTIONS

Step 1: Cut pieces to length from the Cut List above

Step 2: Assemble Base

Step 3: Install Base Top

Step 4: Build structural components A, B, C and D

Step 5: Connect A, B, C and D with lateral pieces

Step 6: Attach completed bar structure to base top,

using a speed square to make sure everything is straight

Step 7: Attach the bar top and work space to top of bar structure

Step 8: Attach side cladding and front of bar cladding

Step 9: Attach barn-door hardware to bar structure

Step 10: a. Build doors by mitering corners and screwing together

b. Cut ornamental sheet metal in half and staple to back of door frames

c. Install barn-door hardware to door fronts

d. Slide doors onto bar-door bar

Step 11: Cut planter holes in bartop with jigsaw

Step 12: Sand bar to desired smoothness

Lonza

 **SOUTHEAST**
-FOREST PRODUCTS-

